

**REAL**

## **4TON 2 POST WASHING LIFT**

**RH-2PW-4000**



- Lift features:*
- 2 direct drive cylinders.
  - IP65 grade control box.
  - Hot-dip Galvanised structure
  - Weather canopy covered power pack.
  - Stainless Steel synchronization cable.
  - Manual ratchet safety system.

**Rotary Engineering (Asia) Ltd.**

Unit B, 12/F, Chatham Commercial Building, 399 Chatham Road North, Hung Hom, Kowloon, Hong Kong

Tel: +852-23632978 Fax: +852-27656772

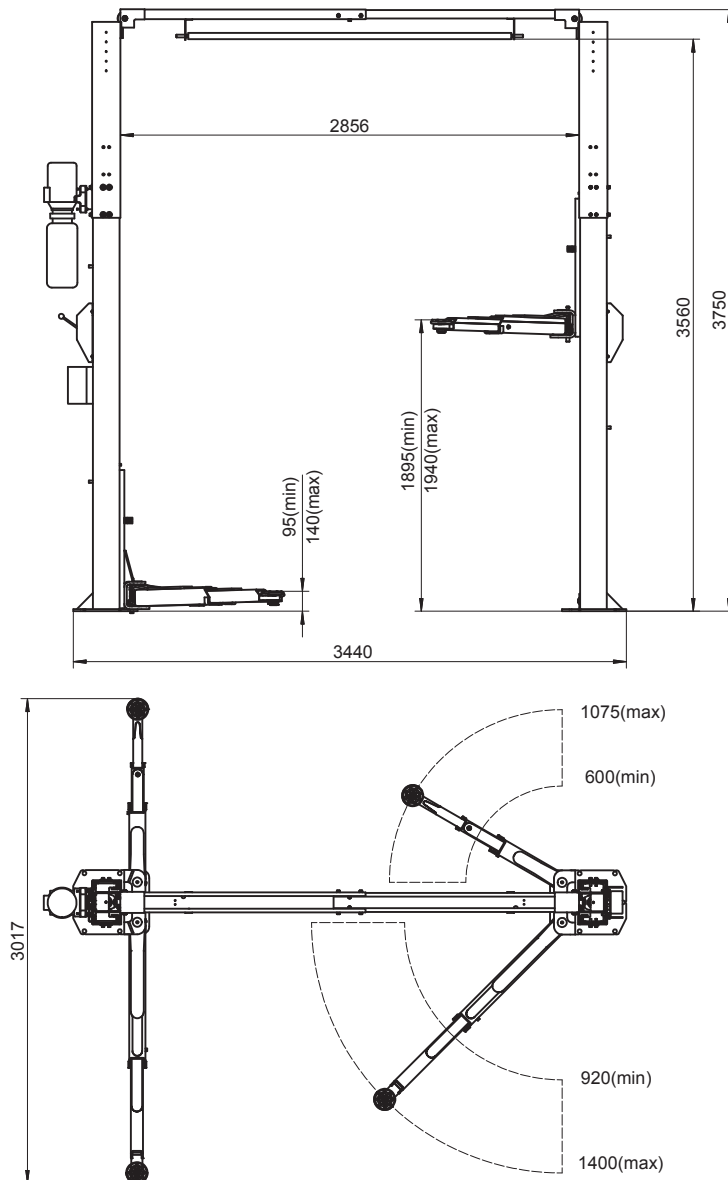
E-mail: [sales@rotaryengasia.com](mailto:sales@rotaryengasia.com) Website: <http://www.rotaryengasia.com>

# Technical data

# RH-2PW-4000

Model	RH-2PW-4000
Lifting capacity	4000kg
Lifting Height	1940 mm
Min. Height	95 mm
Lifting time	45 ~ 55 sec
Motor/Voltage	3Ph 230/400V 2P 2.2Kw 50/60Hz
	1Ph 230V 2P 2.2Kw 50/60Hz

\* All specifications subject to change without prior notice.



**Rotary Engineering (Asia) Ltd.**

Unit B, 12/F, Chatham Commercial Building, 399 Chatham Road North, Hung Hom, Kowloon, Hong Kong

Tel: +852-23632978 Fax: +852-27656772

E-mail: [sales@rotaryengasia.com](mailto:sales@rotaryengasia.com) Website: <http://www.rotaryengasia.com>