

Rotary Engineering (Asia) Ltd.

REAL

**3Tonne Electro-Hydraulic
Two Post Parking Hoist
RH-2PPA-30**



Lift features:

- LOW VOLTAGE CONTROL FOR SAFETY.
- WITH PHOTOELECTRIC SWITCH PROTECTION ALARM TO PREVENT ACCIDENTS
- MULTIPLE INSTALLATIONS CAN SHARE THE MIDDLE COLUMN

Rotary Engineering (Asia) Ltd.

Unit B,12/F, Chatham Commercial Building,399 Chatham Road North, Hung Hom, Kowloon, Hong Kong

Tel: +852-23632978 Fax: +852-27656772

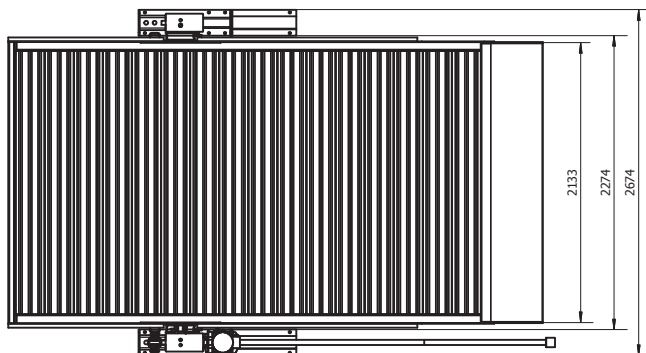
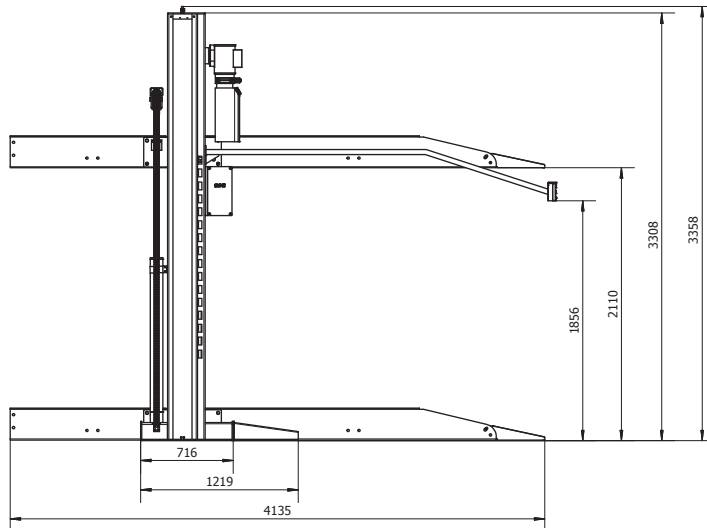
E-mail: sales@rotaryengasia.com Website: <http://www.rotaryengasia.com>

Technical data

Model	RH-2PPA-30
Lifting capacity	3000Kg
Lifting Height	2100mm
Min. Height	114mm
Lifting time	55 sec
Motor/Voltage	1Ph 230V 2.2KW 3Ph 400V 2.2KW 50/60Hz

* All specifications subject to change without prior notice.

RH-2PPA-30



Rotary Engineering (Asia) Ltd.



Unit B,12/F, Chatham Commercial Building,399 Chatham Road North, Hung Hom, Kowloon, Hong Kong

Tel: +852-23632978 Fax: +852-27656772

E-mail: sales@rotaryengasia.com Website: <http://www.rotaryengasia.com>

RH-2PPA-30