



4 TON 2 POST GATE TYPE LIFT

RH-2PKE-40SE



Lift features:

- 2 direct drive cylinders
- Synchronization by steel cable
- Manual ratchet safety system.
- High lifting

Rotary Engineering (Asia) Ltd.

Unit B,12/F, Chatham Commercial Building,399 Chatham Road North, Hung Hom, Kowloon, Hong Kong

Tel: +852-23632978 Fax: +852-27656772

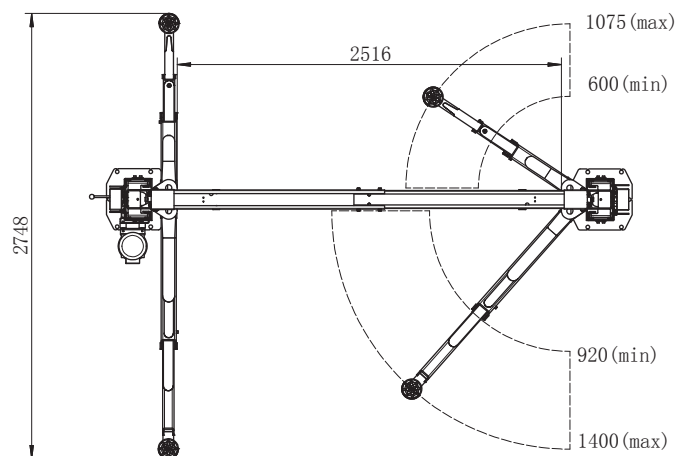
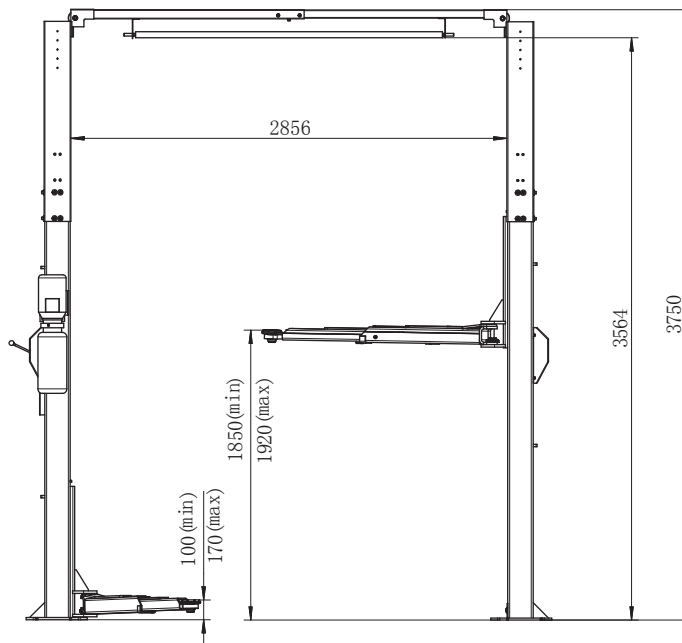
E-mail: sales@rotaryengasia.com Website: <http://www.rotaryengasia.com>

Technical data

RH-2PKE-40SE

Model	RH-2PKE-40SE
Lifting capacity	4000kg
Lifting Height	1920 mm
Min. Height	100 mm
Lifting time	55 ~ 65 sec
Motor/Voltage	3Ph 230/400V 2P 2.2Kw 50/60Hz
	1Ph 230V 2P 2.2Kw 50/60Hz

* All specifications subject to change without prior notice.



Rotary Engineering (Asia) Ltd.

Unit B, 12/F, Chatham Commercial Building, 399 Chatham Road North, Hung Hom, Kowloon, Hong Kong

Tel: +852-23632978 Fax: +852-27656772

E-mail: sales@rotaryengasia.com Website: <http://www.rotaryengasia.com>